

OXFORD PLASTICS USA.

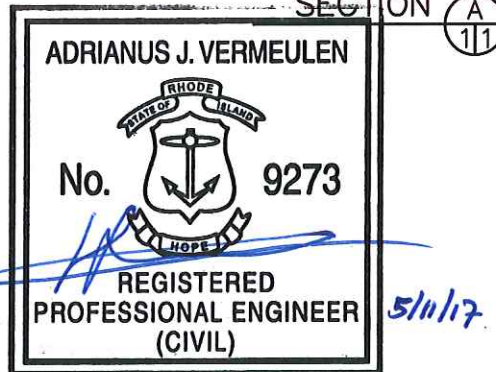
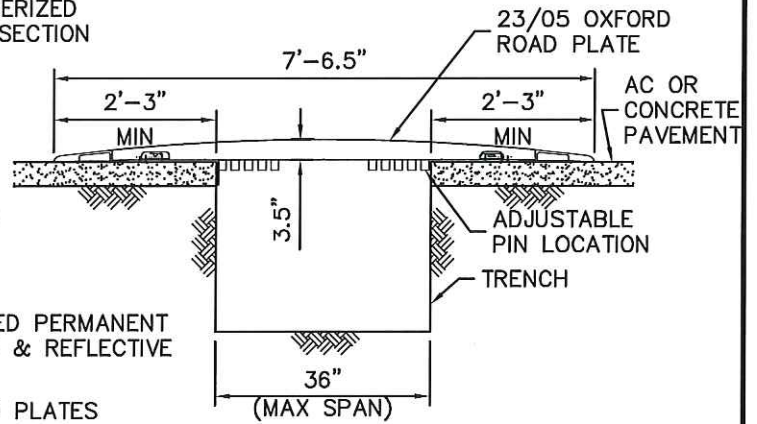
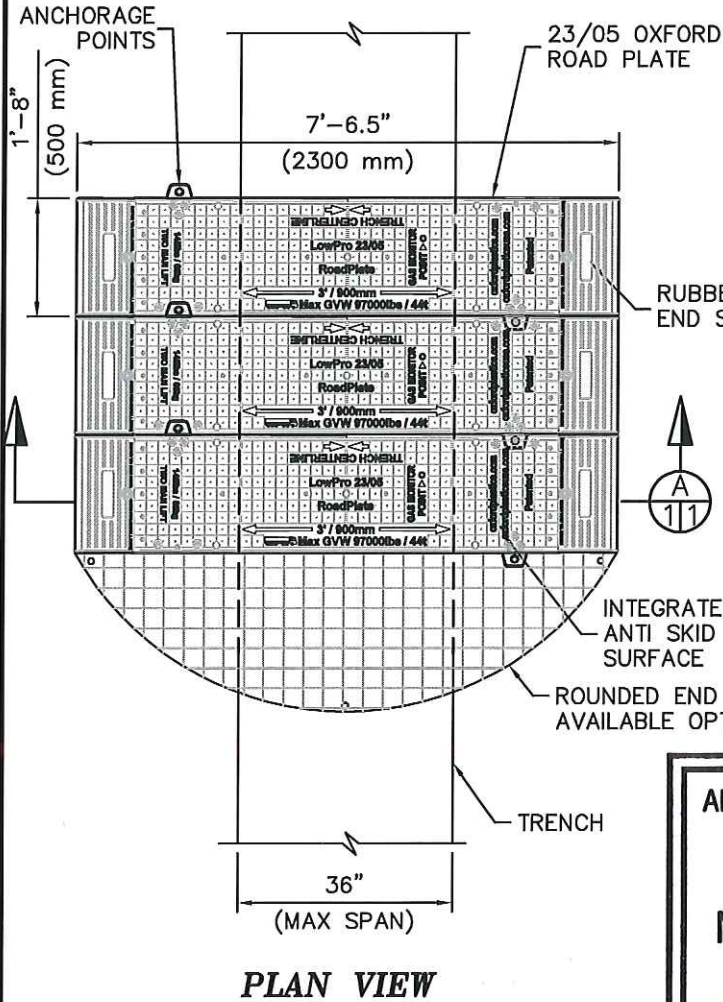
MANUFACTURERS TABULATED DATA SHEET

23/05 OXFORD ROAD PLATE

BASED ON HS-20-44 LOADING

PLATE SIZE (FT)	MAX. SPEED (MPH)	MAX. ALLOW. SPAN (FT)	DESIGN IMPACT FACTOR
1'-8" x 7'-6.5" (0.5m x 2.3m)	< 30	3'-0"	1.3
1'-8" x 7'-6.5" (0.5m x 2.3m)	> 30 *	3'-0"	1.3

* ANCHORAGE REQUIRED



NOTES:

1. PLATE MATERIAL TO BE GLASS REINFORCED POLYESTER W/ STEEL REINFORCEMENT.
2. PLATES ARE DESIGNED FOR HS-20-44 LOADING = 32,000 lb AXLE, 16,000 lb TIRE LOAD WITH IMPACT FACTOR OF 1.3.
3. THE MAX SPAN IS MEASURED FROM ASPHALT OR CONCRETE EDGE TO ASPHALT OR CONCRETE EDGE.
4. CHART IS BASED ON STABLE TRENCH. STABILITY TO BE DETERMINED BY COMPETENT PERSON OR PROFESSIONAL ENGINEER. SHORING MAYBE REQUIRED.
5. IF SPEED EXCEEDS 30 mph, PLATE MAY REQUIRE ANCHORAGE.
6. SEE MANUFACTURES INFO FOR USE AND GUIDANCE.
7. THE INSTALLATION OF THE OXFORD ROAD PLATES MUST NOT PRESENT A HAZARD TO CYCLISTS OR MOTOR CYCLES.

TITLE:

23/05 OXFORD ROAD PLATE

OXFORD PLASTICS USA.

101 DEXTER ROAD
PROVIDENCE, RI. 02914

J.M. TURNER ENGINEERING, INC. CONSULTING ENGINEERS



1325 COLLEGE AVE, SANTA ROSA, CA 95404
(707) 528-4503 FAX (707) 528-4505

DATE:

05/10/17

REVISED:

FILE NO:

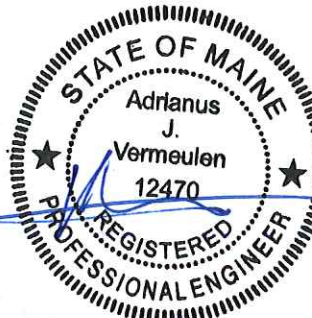
13741-2/P1

OXFORD PLASTICS USA.

MANUFACTURERS TABULATED DATA SHEET

23/05 OXFORD ROAD PLATE

ADDITIONAL LICENSES



I hereby certify that this plan, specification, or report was prepared by me or under my direct supervision and that I am a duly Licensed Professional Engineer under the laws of the State of Minnesota.

Adrianus J. Vermeulen

Date 5/11/17 License # 48822

TITLE:

23/05 OXFORD ROAD PLATE

OXFORD PLASTICS USA.

101 DEXTER ROAD
PROVIDENCE, RI. 02914

J.M. TURNER ENGINEERING, INC.
CONSULTING ENGINEERS



1325 COLLEGE AVE, SANTA ROSA, CA 95404
(707) 528-4503 FAX (707) 528-4505

DATE:

05/10/17

REVISED:

FILE NO:

13741-2/P2