

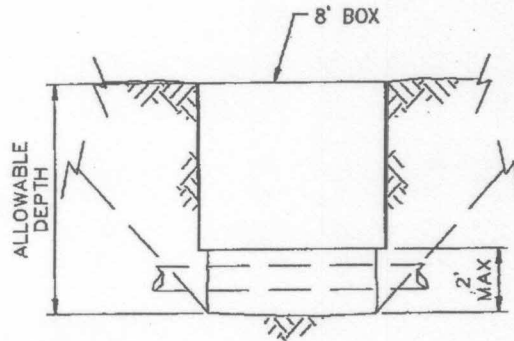
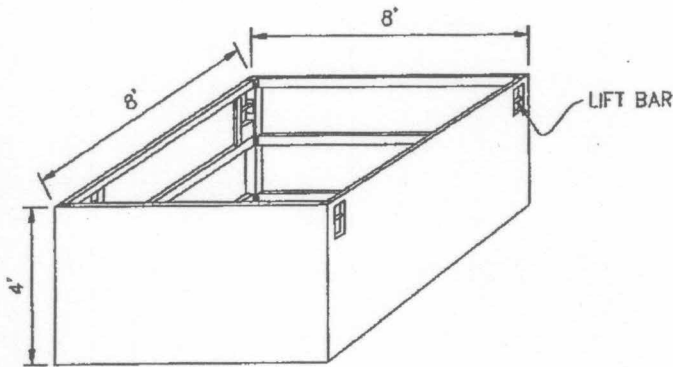
MANUFACTURERS TABULATED DATA SHEET

MANUFACTURERS DATA

MODEL NO. 8 x 8 x 4

BOX DEPTH	4	FT
LENGTH	8	FT
WALL THICKNESS	3	IN
SHIELD WEIGHT	2007	LBS
MAXIMUM DEFLECTION	1.78	IN

BOX RATING (PSF)	ALLOWABLE LOADING AND DEPTH (FT)			
	A-25	B-45	C-60	C-80
1500	40	33	25	19



Notes:

- 1) All excavations shall be in accordance with OSHA CFR 29, Part 1926, Subpart P. July 1999.
- 2) Soil shall be classified in accordance with OSHA Appendix A or by a registered civil engineer prior to installing this equipment.
- 3) Box may be held 2 ft above the bottom of the excavation. Boxes may be stacked provided stacking pins are used.
- 4) Surcharge load shall be determined by a competent person or engineer. The above depth ratings allow a 72 PSF surcharge load. Equipment and spoil piles spaced minimum 2 FT from the edge of the excavation will exert a 72 PSF surcharge load.
- 5) Repairs and modifications shall be approved by manufacturer or RCE.

TTS

NCH & TRAFFIC SAFETY SUPPLY INC

2175 Acoma street
Sacramento, Ca. 95815

(916) 920-3304 Phone

(916) 920-3305 Fax

www.flagger.info



Box 4x8x8 (3") wall

J.M. TURNER ENGINEERING, INC.
CONSULTING ENGINEERS



705 COLLEGE AVE., SANTA ROSA, CA. 95404
(707) 528-4503 FAX (707) 528-4505

DATE	REVISED	JOB
1/4/2005		8158