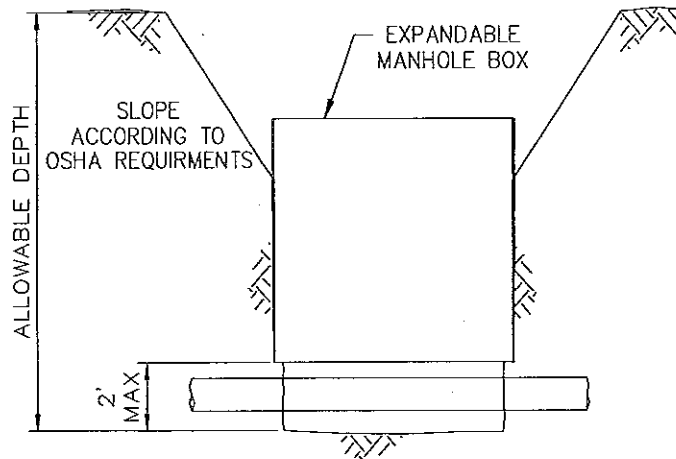
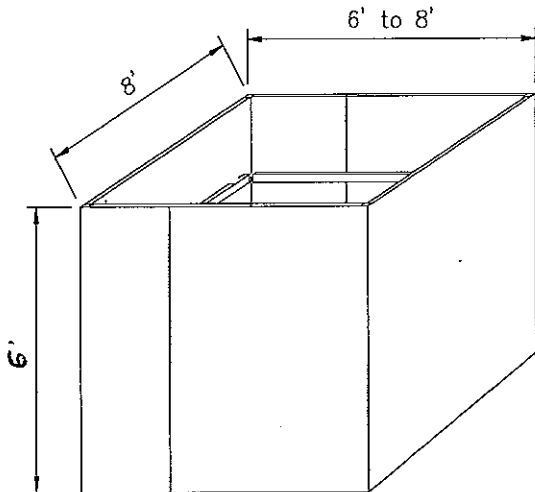


MANUFACTURERS TABULATED DATA SHEET

MANUFACTURERS DATA	
HYDRAULIC-PLYWOOD 6 x 8 x 8	
BOX DEPTH	6 FT
LENGTH	8 FT
WALL THICKNESS	3 IN
SHIELD WEIGHT	1700 LBS

BOX RATING(PSF)	ALLOWABLE LOADING AND DEPTH (FT)			
	A-25	B-45	C-60	C-80
1250	24	24	21	16

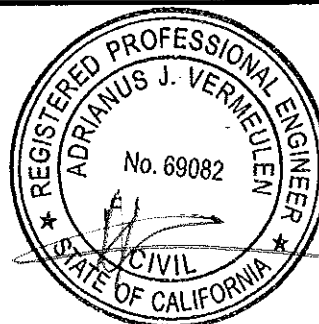


Notes:

- 1) All excavations shall be in accordance with OSHA CFR 29, Part 1926, Subpart P.
- 2) Soil shall be classified in accordance with OSHA Apendix A or by a registered civil engineer prior to installing this equipment.
- 3) Box may be held 2 ft above the bottom of the excavation. Boxes may be stacked provided stacking pins are used.
- 4) Surcharge load shall be determined by a competent person or engineer. The above depth ratings allow a 72 PSF surcharge load. Equipment and spoil piles spaced minimum 2 FT from the edge of the excavation will exert a 72 PSF surcharge load.
- 5) Repairs and modifications shall be approved by manufacturer or RCE.

TTS

TRENCH & TRAFFIC SAFETY SUPPLY INC
 2175 Acoma street
 Sacramento, Ca. 95815
 (916) 920-3304 Phone
 (916) 920-3305 Fax
www.flagger.info



MANHOLE BOX 6X8X8

J.M. TURNER ENGINEERING, INC.
CONSULTING ENGINEERS
 1325 COLLEGE AVE., SANTA ROSA, CA. 95404
 (707) 528-4503 FAX (707) 528-4505

DATE	REVISED	JOB
3/4/2004	6/6/2013	13581-1