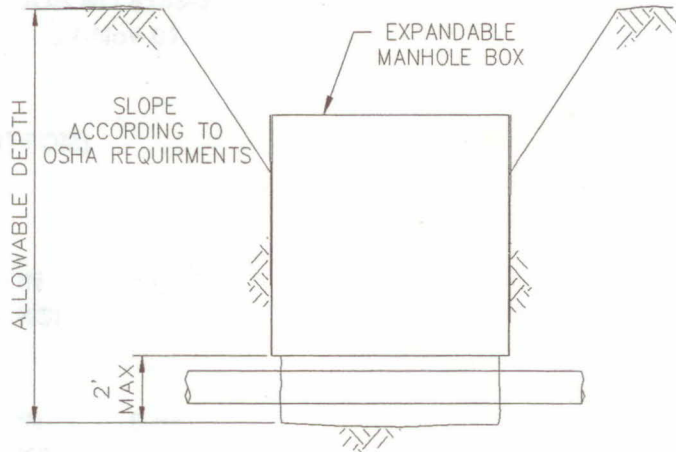
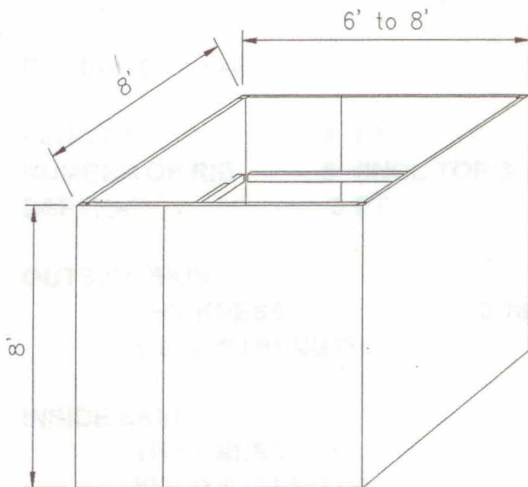


# MANUFACTURERS TABULATED DATA SHEET

MANUFACTURERS DATA		
HYDRAULIC-PLYWOOD 8 x 8 x 8		
BOX DEPTH	8	FT
LENGTH	8	FT
WALL THICKNESS	3	IN
SHIELD WEIGHT	2100	LBS

BOX RATING(PSF)	ALLOWABLE LOADING AND DEPTH (FT)			
	A-25	B-45	C-60	C-80
<b>1250</b>	<b>20</b>	<b>20</b>	<b>21</b>	<b>16</b>



**Notes:**

- 1) All excavations shall be in accordance with OSHA CFR 29, Part 1926, Subpart P. July 1997.
- 2) Soil shall be classified in accordance with OSHA Appendix A or by a registered civil engineer prior to installing this equipment.
- 3) Box may be held 2 ft above the bottom of the excavation. Boxes may be stacked provided stacking pins are used.
- 4) Surcharge load shall be determined by a competent person or engineer. The above depth ratings allow a 72 PSF surcharge load. Equipment and spoil piles spaced minimum 2 FT from the edge of the excavation will exert a 72 PSF surcharge load.
- 5) Repairs and modifications shall be approved by manufacturer or RCE.

# TTS

**TRENCH & TRAFFIC SAFETY SUPPLY INC**

2175 Acoma street  
 Sacramento, Ca. 95815  
 (916) 920-3304 Phone  
 (916) 920-3305 Fax

[www.flagger.info](http://www.flagger.info)



## MANHOLE BOX 8X8X8

*J.M. TURNER ENGINEERING, INC.*  
*CONSULTING ENGINEERS*



705 COLLEGE AVE., SANTA ROSA, CA. 95404  
 (707) 528-4503 FAX (707) 528-4505

DATE	REVISED	JOB
3/4/2004		6158-2