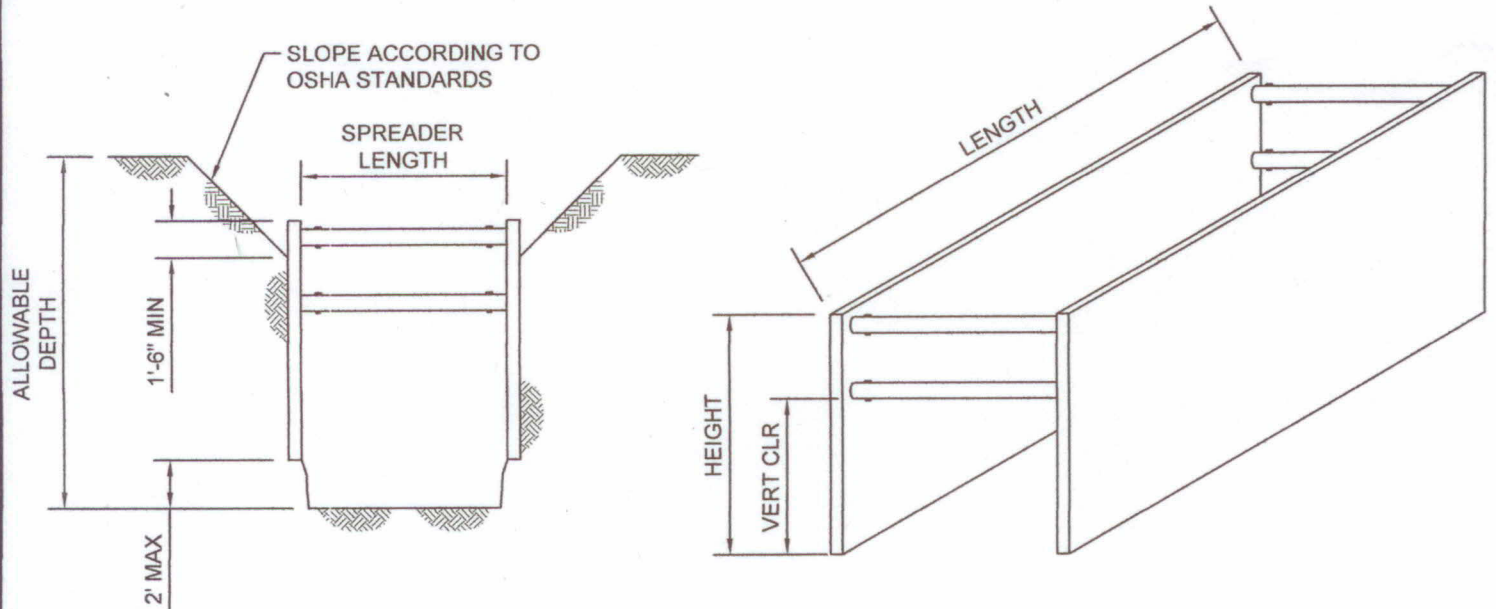


# TABULATED DATA SHEET - 10' X 12' X 6" SHORING SHIELD

SHIELD PROPERTIES		SPREADER PROPERTIES		ALLOWABLE DEPTHS (FT)			
HEIGHT (FT):	10	DIAMETER (IN):	8	A-25	B-45	C-60	C-80
LENGTH (FT):	12	WALL THICKNESS (IN):	0.50	30	27	20	15
THICKNESS (IN):	6	MATERIAL:	SCH 80	<b>SHIELD RATING (PSF): 1244</b>			
MAX. DEFLECTION (IN):	0.68	MAX STRUT LENGTH (FT):	16				
MODEL-SN: SS-10126-001		VERT. CLEARANCE (IN):	85				



**NOTES:**

1. THE EXCAVATION SHALL BE IN ACCORDANCE WITH OSHA CFR 29, PART 1926, SUBPART P DATED JULY 1997, AND CAL-OSHA SAFETY ORDERS TITLE 8 (SECTIONS 1504, AND 1539 THRU 1547). THIS TABULATED DATA HAS BEEN PREPARED BY A REGISTERED PROFESSIONAL ENGINEER AS REQUIRED TO COMPLY WITH THE ABOVE MENTIONED STANDARDS.
2. A "COMPETENT PERSON" MUST CLASSIFY THE SOIL IN ACCORDANCE WITH OSHA (APPENDIX A) PRIOR TO PLACING THIS EQUIPMENT INTO THE EXCAVATION. THEY MUST BE TRAINED AND EXPERIENCED IN THE PROPER USE OF TRENCH SHIELDS, SAFE EXCAVATION PRACTICES, AND SOIL CLASSIFICATION METHODS. THEY SHALL DIRECT AND CONTROL THE USE OF THIS SHIELD. THEY ALSO MUST MONITOR THE EXCAVATION TO ENSURE THAT CONDITIONS HAVE NOT CHANGED FROM THE ORIGINAL SOIL CLASSIFICATION. IF CONDITIONS DO CHANGE, THEY ARE TO TAKE THE APPROPRIATE ACTION TO MAKE CERTAIN THAT THE SHIELD CAPACITY IS NOT EXCEEDED.
3. THE ALLOWABLE DEPTHS LISTED ABOVE TAKE INTO CONSIDERATION A SURCHARGE FROM TYPICAL LIGHT TRAFFIC AND CONSTRUCTION EQUIPMENT AS DEFINED IN THE CAL-TRANS TRENCHING AND SHORING MANUAL (72 PSF). THESE SURCHARGE LOADS ARE ASSUMED TO BE SETBACK A MINIMUM OF 2 FEET FROM THE EDGE OF THE EXCAVATION. IF LARGER MAGNITUDE SURCHARGES WILL BE PRESENT, THE MAXIMUM ALLOWABLE DEPTH OR MAXIMUM LOADING ON THE SHIELD IS TO BE DETERMINED BY A REGISTERED CIVIL ENGINEER.
4. SHIELD MUST BE FULLY ASSEMBLED PRIOR TO PLACING INSIDE THE EXCAVATION.
5. THE SHIELDS MAY BE STACKED (WITH APPROPRIATE STACKING PINS), SET VERTICAL OR UPSIDE DOWN.
6. A MINIMUM OF 2 SPREADERS ARE REQUIRED ON EACH END OF THE SHIELD WITH MANUFACTURERS APPROVED PINS AND KEEPERS.
7. COMPETENT PERSON TO INSPECT SHIELD PRIOR TO USE TO VERIFY SHIELD IS IN GOOD WORKING CONDITION WITH NO SUBSTANTIAL DAMAGE OR DEFORMATIONS.
8. REPAIRS OR MODIFICATIONS TO THIS SHIELD MUST BE APPROVED BY THE MANUFACTURER IN WRITING.

**10' X 12' X 6" SHORING SHIELD**

**SACRAMENTO SHORING  
SUPPLY, INC.**

P.O. BOX 2912  
CARMICHAEL, CA 95609

PH: (916) 920-9143      FAX: (916) 920-3305

**HARTMAN**  
**Civil Engineering, Inc.**

P.O. Box 2958      Office: (707) 763-2862  
Petaluma, CA 94953      Fax: (707) 773-2953

DATE: 01/20/07      SHEET: 1 OF 1      JOB#: 1085-35/P1

