

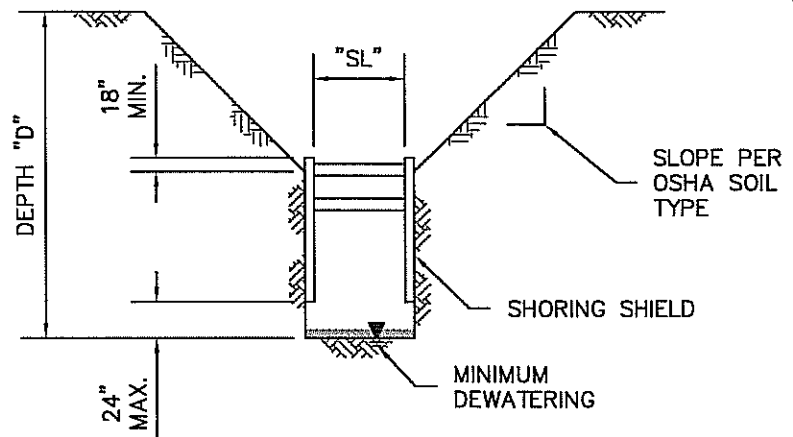
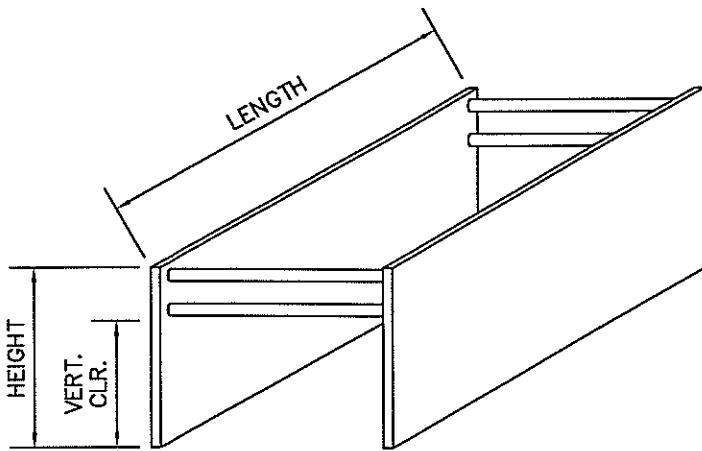
MANUFACTURERS TAB DATA	
MODEL	8'x20'x6" SHORING SHIELD
SERIAL NO.	SS-8206-001
SHIELD HEIGHT (FT)	8
SHIELD LENGTH (FT)	20
SHIELD THICKNESS (IN)	6
MAXIMUM DEFLECTION (IN)	1.74
SHIELD WEIGHT (LBS)	11719

SPREADER PROPERTIES	
OUTSIDE DIAMETER (IN)	8.625
WALL THICKNESS (IN)	0.50
MATERIAL	Fy = 46
MAXIMUM STRUT LENGTH (FT) "SL"	20
VERTICAL CLEARANCE (IN)	61
WEIGHT OF SPREADER (LBS/FT)	44



SIGNATURE DATE:
AUG 27 2013

ALLOWABLE DEPTH (FT)			
OSHA DEFINED SOILS TYPE			
DEPTH "D"			
A - 25	B - 45	C - 60	C - 80
40	35	26	19
SHIELD RATING (PSF)			1595



GENERAL NOTES:

1. THE EXCAVATION SHALL BE IN ACCORDANCE WITH OSHA CFR 29, PART 1926, SUBPART P DATED JULY 1997, AND CAL-OSHA SAFETY ORDERS TITLE 8 (SECTION 1504, AND 1539 THRU 1547). THIS TABULATED DATA HAS BEEN PREPARED BY A REGISTERED PROFESSIONAL ENGINEER AS REQUIRED TO COMPLY WITH THE ABOVE MENTIONED STANDARDS.
2. SHIELD MAY BE HELD OFF OF BOTTOM OF EXCAVATION NO MORE THAN 24" FOR SQUARE CUT TRENCH BOTTOM AND 36" FOR ROUND CUT TRENCH BOTTOM.
3. SHIELDS MAY BE STACKED (WITH APPROPRIATE STACKING PINS), SET VERTICAL OR UPSIDE DOWN.
4. OSHA DEFINED "COMPETENT PERSON" TO INSPECT SHIELD PRIOR TO USE TO VERIFY SHIELD IS IN GOOD WORKING CONDITION WITH NO SUBSTANTIAL DAMAGE OR DEFORMATION.
5. REPAIRS OR MODIFICATIONS TO THIS SHIELD MUST BE APPROVED BY THE MANUFACTURER AND/OR REGISTERED CIVIL ENGINEERING IN WRITING.
6. AN OSHA DEFINED "COMPETENT PERSON" MUST CLASSIFY THE SOIL IN ACCORDANCE WITH OSHA (APPENDIX A) PRIOR TO PLACING THIS EQUIPMENT INTO THE EXCAVATION. THEY MUST BE TRAINED AND EXPERIENCED IN THE PROPER USE OF SHIELD, SAFE EXCAVATION PRACTICES, AND SOIL CLASSIFICATION METHODS. THEY SHALL DIRECT AND CONTROL THE USE OF THIS SHIELD. THEY ALSO MUST MONITOR THE EXCAVATION TO ENSURE THAT CONDITIONS HAVE NOT CHANGED FROM THE ORIGINAL SOIL CLASSIFICATION. IF CONDITIONS DO CHANGE, THEY ARE TO TAKE THE APPROPRIATE ACTION TO MAKE CERTAIN THAT THE SHIELD CAPACITY IS NOT EXCEEDED.
7. THE ALLOWABLE DEPTHS LISTED ABOVE TAKE INTO CONSIDERATION A SURCHARGE FROM TYPICAL LIGHT TRAFFIC AND CONSTRUCTION EQUIPMENT AS DEFINED IN THE CAL-TRANS TRENCHING AND SHORING MANUAL (72 PSF). THESE SURCHARGE LOADS ARE ASSUMED TO BE SETBACK A MINIMUM OF 2 FEET FROM EDGE OF THE EXCAVATION. IF LARGER MAGNITUDE SURCHARGES WILL BE PRESENT, THE MAXIMUM ALLOWABLE DEPTH OR MAXIMUM LOADING ON THE SHIELD IS TO BE DETERMINED BY A REGISTERED CIVIL ENGINEER.
8. THE SHIELD(S) SHOULD BE BACKFILLED WITH SOIL BETWEEN SHIELD(S) AND EXCAVATION TO KEEP SHIELD(S) IN PLACE AS DETERMINED IN THE FIELD BY THE COMPETENT PERSON. SHIELD(S) SHOULD BE PLACED BY WORKERS OUTSIDE THE EXCAVATION.
9. SHIELD MUST BE FULLY ASSEMBLED BEFORE PLACING INSIDE THE EXCAVATION.
10. 2 SPREADERS MINIMUM ARE REQUIRED ON EACH END OF THE SHIELD WITH MANUFACTURES APPROVED PINS & KEEPERS.



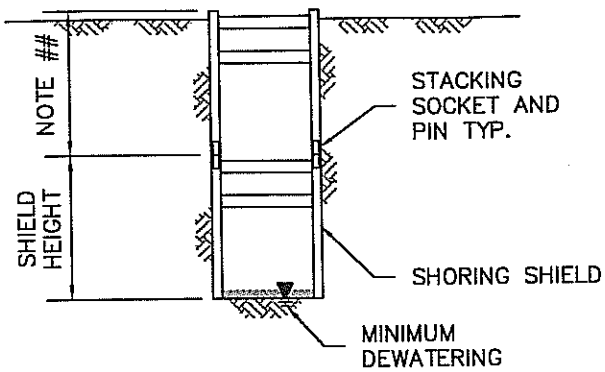
Know what's below.
Call 811 before you dig.

SHEET TITLE MANUFACTURES TABULATED DATA SHEET
B.K. WELLINGTON Engineering
4527 MONTGOMERY DR., STE "C" - SANTA ROSA, CA 95408 PH:(707) 585-5423 - FX:(707) 585-5723

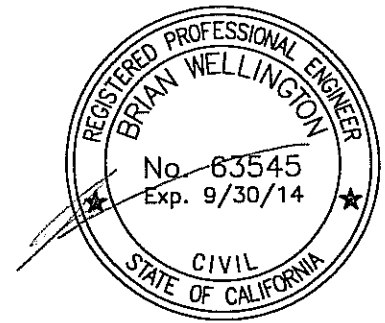
8 x 20 x 6" SHIELD
MANUFACTURES TABULATED DATA MODEL SN: SS-8206-001

	SACRAMENTO Shoring Supply
2175 ACOMA STREET SACRAMENTO, CA 95815	

SHEET NO. TD1.0 1 OF 2
DATE 08/27/13
DRAWN BKW
JOB NO. 13.017-02



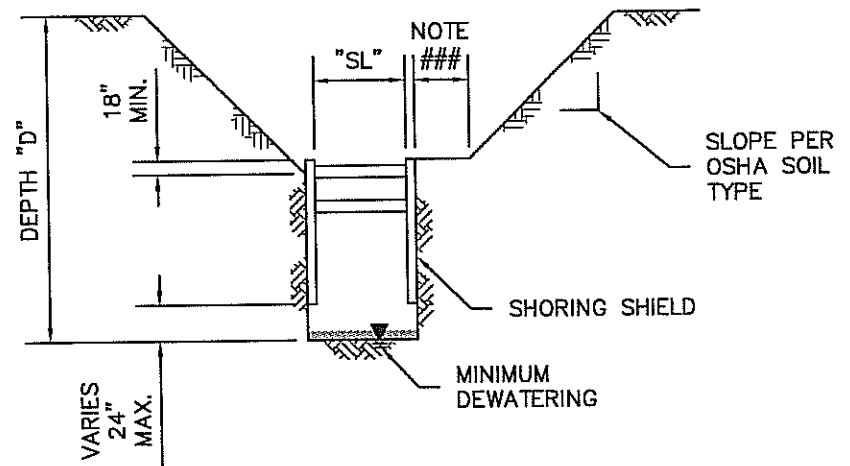
NOTE ##: STACKER SHIELDS VARIES FROM 2 FT TO 10 FT IN HIEGHT



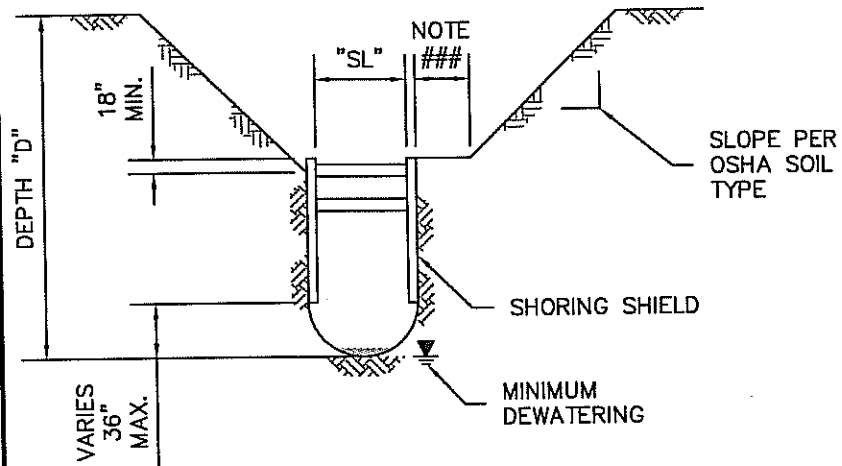
SIGNATURE DATE:
AUG 27 2013

1 SECTION
FLAT BOTTOM WITH STACK SHIELDS Scale: NTS

NOTE ###: 3 FT MINIMUM BENCH



2 SECTION
FLAT BOTTOM CROSS SECTION Scale: NTS



NOTE ###: 3 FT MINIMUM BENCH

3 SECTION
ROUND BOTTOM CROSS SECTION Scale: NTS



Know what's below.
Call 811 before you dig

SHEET TITLE
MANUFACTURES TABULATED DATA SHEET
B.K. WELLINGTON
Engineering
4527 MONTGOMERY DR., STE "C" - SANTA ROSA, CA 95409
PH:(707) 595-5423 - FX:(707) 595-5723

8 x 20 x 6" SHIELD
MANUFACTURES TABULATED DATA
MODEL SN: SS-8206-001

 **SACRAMENTO Shoring Supply**
2175 ACOMA STREET
SACRAMENTO, CA 95815

SHEET NO.
TD2.0
2 OF 2
DATE
08/27/13
DRAWN
BKW
JOB NO.
13.017-02