

MANUFACTURERS TAB DATA

MODEL	4"x24"x4" SHORING SHIELD		
SERIAL NO.	SS-04244-001		
SHIELD HEIGHT (FT)	4		
SHIELD LENGTH (FT)	24		
SHIELD THICKNESS (IN)	4		
MAXIMUM DEFLECTION (IN)	5.45		
SHIELD WEIGHT (LBS)	6631		

SPREADER PROPERTIES

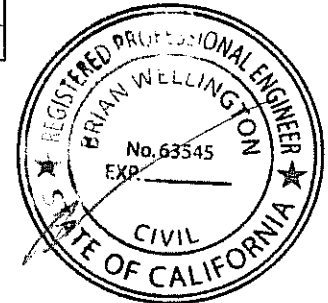
OUTSIDE DIAMETER (IN)	8.625
WALL THICKNESS (IN)	0.50
MATERIAL	Fy = 46
MAXIMUM STRUT LENGTH (FT) "SL"	20
VERTICAL CLEARANCE (IN)	22
WEIGHT OF SPREADER (LBS/FT)	44

ALLOWABLE DEPTH (FT)

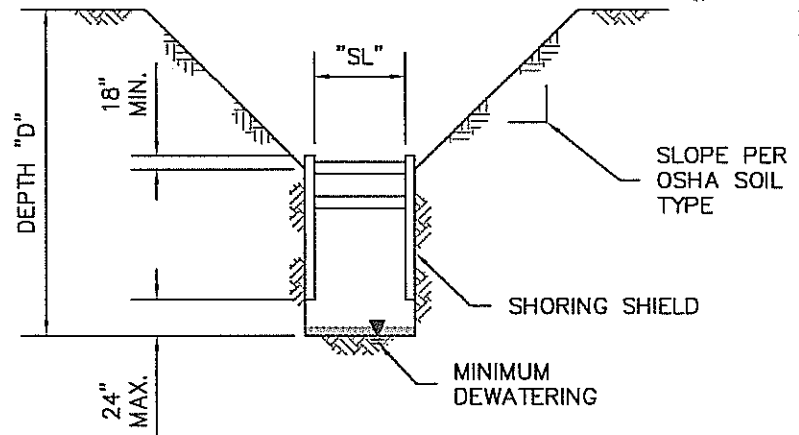
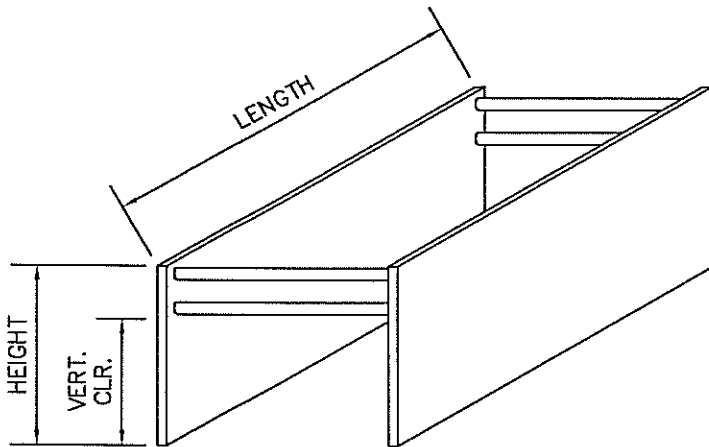
OSHA DEFINED SOILS TYPE

DEPTH "D"

A - 25	B - 45	C - 60	C - 80
38	21	16	12
SHIELD RATING (PSF)			940



MAY 25 2017



GENERAL NOTES:

1. THE EXCAVATION SHALL BE IN ACCORDANCE WITH OSHA CFR 29, PART 1926, SUBPART P DATED JULY 1997, AND CAL-OSHA SAFETY ORDERS TITLE 8 (SECTION 1504, AND 1539 THRU 1547). THIS TABULATED DATA HAS BEEN PREPARED BY A REGISTERED PROFESSIONAL ENGINEER AS REQUIRED TO COMPLY WITH THE ABOVE MENTIONED STANDARDS.
2. SHIELD MAY BE HELD OFF OF BOTTOM OF EXCAVATION NO MORE THAN 24" FOR SQUARE CUT TRENCH BOTTOM AND 36" FOR ROUND CUT TRENCH BOTTOM.
3. SHIELDS MAY BE STACKED (WITH APPROPRIATE STACKING PINS), SET VERTICAL OR UPSIDE DOWN.
4. OSHA DEFINED "COMPETENT PERSON" TO INSPECT SHIELD PRIOR TO USE TO VERIFY SHIELD IS IN GOOD WORKING CONDITION WITH NO SUBSTANTIAL DAMAGE OR DEFORMATION.
5. REPAIRS OR MODIFICATIONS TO THIS SHIELD MUST BE APPROVED BY THE MANUFACTURER AND/OR REGISTERED CIVIL ENGINEER IN WRITING.
6. AN OSHA DEFINED "COMPETENT PERSON" MUST CLASSIFY THE SOIL IN ACCORDANCE WITH OSHA (APPENDIX A) PRIOR TO PLACING THIS EQUIPMENT INTO THE EXCAVATION. THEY MUST BE TRAINED AND EXPERIENCED IN THE PROPER USE OF SHIELD, SAFE EXCAVATION PRACTICES, AND SOIL CLASSIFICATION METHODS. THEY SHALL DIRECT AND CONTROL THE USE OF THIS SHIELD. THEY ALSO MUST MONITOR THE EXCAVATION TO ENSURE THAT CONDITIONS HAVE NOT CHANGED FROM THE ORIGINAL SOIL CLASSIFICATION. IF CONDITIONS DO CHANGE, THEY ARE TO TAKE THE APPROPRIATE ACTION TO MAKE CERTAIN THAT THE SHIELD CAPACITY IS NOT EXCEEDED.
7. THE ALLOWABLE DEPTHS LISTED ABOVE TAKE INTO CONSIDERATION A SURCHARGE FROM TYPICAL LIGHT TRAFFIC AND CONSTRUCTION EQUIPMENT AS DEFINED IN THE CAL-TRANS TRENCHING AND SHORING MANUAL (72 PSF). THESE SURCHARGE LOADS ARE ASSUMED TO BE SETBACK A MINIMUM OF 2 FEET FROM EDGE OF THE EXCAVATION. IF LARGER MAGNITUDE SURCHARGES WILL BE PRESENT, THE MAXIMUM ALLOWABLE DEPTH OR MAXIMUM LOADING ON THE SHIELD IS TO BE DETERMINED BY A REGISTERED CIVIL ENGINEER.
8. THE SHIELD(S) SHOULD BE BACKFILLED WITH SOIL BETWEEN SHIELD(S) AND EXCAVATION TO KEEP SHIELD(S) IN PLACE AS DETERMINED IN THE FIELD BY THE COMPETENT PERSON. SHIELD(S) SHOULD BE PLACED BY WORKERS OUTSIDE THE EXCAVATION.
9. SHIELD MUST BE FULLY ASSEMBLED BEFORE PLACING INSIDE THE EXCAVATION.
10. TWO SPREADERS MINIMUM ARE REQUIRED ON EACH END OF THE SHIELD WITH MANUFACTURES APPROVED PINS & KEEPERS.



**Know what's below.
Call 811 before you dig.**

SHEET TITLE
MANUFACTURES TABULATED DATA SHEET

B.K. WELLINGTON
Engineering

4527 MONTGOMERY DRIVE, SITE C - SANTA ROSA, CA 95409
PH: (707) 595-5423 - FX: (707) 595-5723

4 x 24 x 4" SHIELD

MANUFACTURES TABULATED DATA
MODEL SN: SS-04244-001

SACRAMENTO Shoring Supply

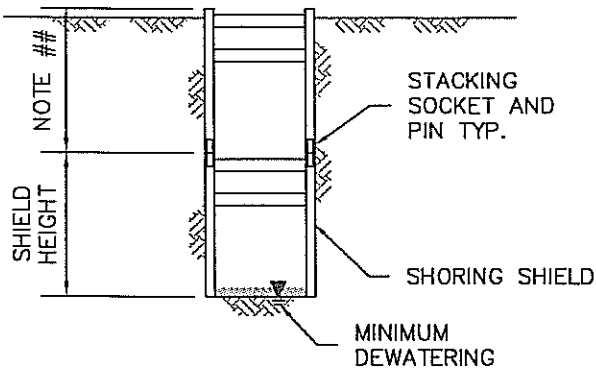
2175 ACOMA STREET
SACRAMENTO, CA 95815

SHEET NO.
TD1.0
1 OF 2

DATE
09/19/16

DRAWN
BKW

JOB NO.
16.040-06



NOTE ##: STACKER SHIELDS VARIES FROM 2 FT TO 10 FT IN HEIGHT



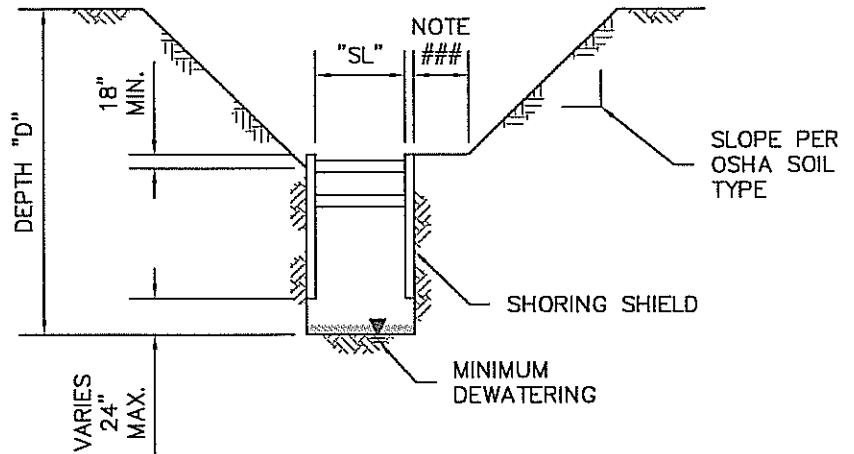
MAY 25 2017

1 SECTION

FLAT BOTTOM WITH STACK SHIELDS

Scale: NTS

NOTE ###: 3 FT MINIMUM BENCH

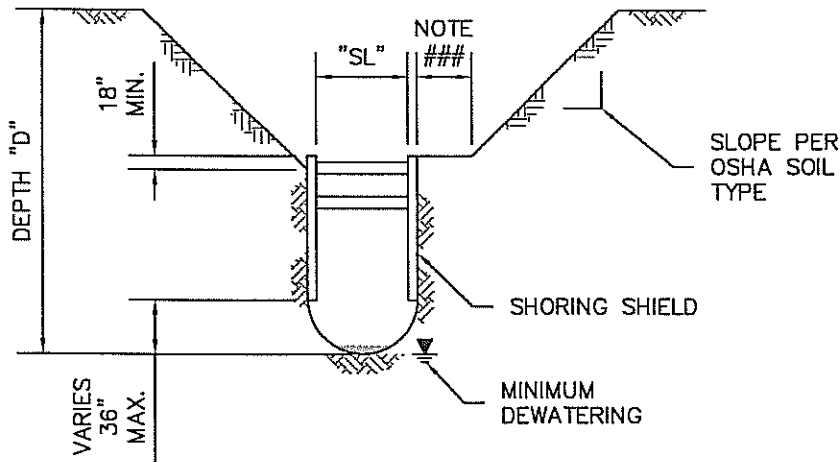


2 SECTION

FLAT BOTTOM CROSS SECTION

Scale: NTS

NOTE ###: 3 FT MINIMUM BENCH



3 SECTION

ROUND BOTTOM CROSS SECTION

Scale: NTS



Know what's below.
Call 811 before you dig.

SHEET TITLE
MANUFACTURES TABULATED DATA SHEET

B.K. WELLINGTON
Engineering

4527 MONTGOMERY DRIVE, STE C - SANTA ROSA, CA 95409
PH: (707) 595-5423 - FX: (707) 595-5723

4 x 24 x 4" SHIELD

MANUFACTURES TABULATED DATA
MODEL SN: SS-04244-001

SACRAMENTO
Shoring Supply

2175 ACOMA STREET
SACRAMENTO, CA 95815

SHEET NO.
TD2.0
2 OF 2

DATE
09/19/16

DRAWN
BKW

JOB NO.
16.040-06