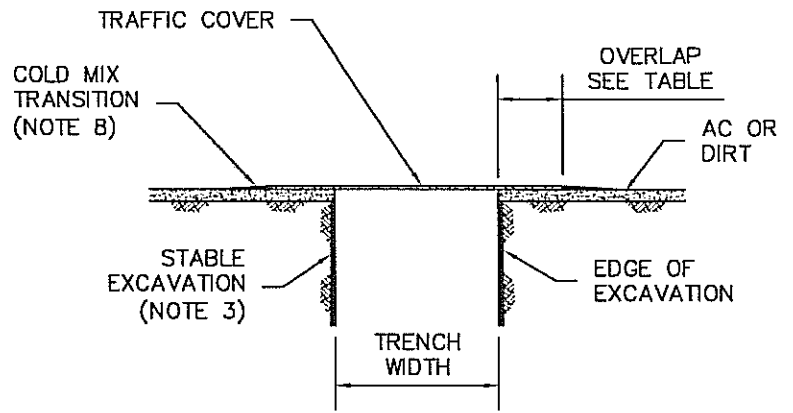


PLAN VIEW

Scale: 1/8"=1'-0"



A SECTION

Scale: 3/16"=1'-0"

GENERAL NOTES:

1. TRENCH WIDTH (SPAN) IS DESIGNED BASED ON THE HS20-44 LOADING PER CALTRANS BRIDGE DESIGN SPECIFICATION (FEBRUARY 2004) SECTION 3. ANY WIDTH EXCEEDING THE TRENCH WIDTH TABLE WILL REQUIRE ENGINEERING.
2. TRAFFIC COVER MAY REQUIRE ANCHORAGE WHEN SPEEDS ARE GREATER THAN 50 MPH. THIS ANCHORAGE MAY ALSO BE REQUIRED ON SLOPES STEEPER THAN 5%. REQUIREMENTS IN ACCORDANCE WITH COMPETENT PERSON, ENGINEER, AND/OR LOCAL REQUIREMENTS.
3. THE TABLES ARE VALID ONLY IF THE EXCAVATION IS STABLE. THE STABILITY OF THE EXCAVATION CAN BE DETERMINED BY COMPETENT PERSON OR ENGINEER.
4. TRAFFIC COVERS MUST BE PLACED WITH POSITIVE CONTACT ON ALL SUPPORTING SIDES TO STOP MOVEMENT FROM ANY TRAFFIC DEFLECTION. AN ACCEPTABLE METHOD CAN BE USED. AN ACCEPTABLE METHOD IS COLD MIX PATCH TO DISPLACE ANY VOIDS BETWEEN THE COVER AND SUPPORTING SIDES.
5. OVERLAP REFER TO EDGE OVERLAP TABLE.
6. TRAFFIC COVER ARE ASTM A36 STEEL MINIMUM. $F_y=36$ KSI.
7. TRAFFIC COVERS MAY REQUIRE ENGINEERING IF THE SPEED LIMIT EXCEEDS 50 MPH ON DIRT CONTACT AND 60 MPH ON ASPHALT CONTACT.
8. COLD MIX TRANSITION RAMP REQUIRED 18" MINIMUM ALL AROUND TRAFFIC COVER.

PLATE THICKNESS (INCHES)	TRENCH WIDTH (SPAN)	
	A/C EDGE	DIRT EDGE
3/4"	2'-6"	1'-9"
7/8"	3'-5"	2'-8"
1"	4'-6"	3'-9"
1-1/4"	7'-0"	6'-3"
1-1/2"	10'-0"	9'-3"
2"	15'-0"	14'-3"

SURFACE CONTACT	TRAFFIC SPEED (MPH)	MIN. OVERLAP (INCHES)
ASPHALT	UNDER 45	12
ASPHALT	OVER 45	18
DIRT	UNDER 45	24



JUL 1 1 2017



Know what's below.
Call 811 before you dig.

REVISED :

SHEET TITLE
MANUFACTURES TABULATED
DATA SHEET

B.K. WELLINGTON
Engineering, Inc.

122 CALISTOGA ROAD #591 - SANTA ROSA, CA 95409
PH: (707) 595-5423 - FX: (707) 595-5723

TRAFFIC COVER
STEEL PLATE
MANUFACTURES TABULATED DATA
TRENCH PLATE

Trench & Traffic
SUPPLY

SHEET NO.
TD1.0
1 OF 2

DATE
07/06/17

DRAWN
BKW

JOB NO.
17.196-01

TRENCH PLATE WEIGHT (LBS)					
PLATE THICKNESS (INCHES)	PLATE SIZE (FT x FT)				
	5 x 8	6 x 10	8 x 12	8 x 15	8 x 20
3/4"	1225	1840	2940	3675	4895
7/8"	1430	2145	3430	4290	5715
1"	1630	2450	3920	4900	6530
1-1/4"	2040	3060	4900	6125	8160
1-1/2"	2450	3675	5875	7350	9795
2"	3265	4900	7835	9800	13055

GENERAL NOTES:

1. TRENCH WIDTH (SPAN) IS DESIGNED BASED ON THE HS20-44 LOADING PER CALTRANS BRIDGE DESIGN SPECIFICATION (FEBRUARY 2004) SECTION 3. ANY WIDTH EXCEEDING THE TRENCH WIDTH TABLE WILL REQUIRE ENGINEERING.
2. TRAFFIC COVER MAY REQUIRE ANCHORAGE WHEN SPEEDS ARE GREATER THAN 50 MPH. THIS ANCHORAGE MAY ALSO BE REQUIRED ON SLOPES STEEPER THAN 5%. REQUIREMENTS IN ACCORDANCE WITH COMPETENT PERSON, ENGINEER, AND/OR LOCAL REQUIREMENTS.
3. THE TABLES ARE VALID ONLY IF THE EXCAVATION IS STABLE. THE STABILITY OF THE EXCAVATION CAN BE DETERMINED BY COMPETENT PERSON OR ENGINEER.
4. TRAFFIC COVERS MUST BE PLACED WITH POSITIVE CONTACT ON ALL SUPPORTING SIDES TO STOP MOVEMENT FROM ANY TRAFFIC DEFLECTION. AN ACCEPTABLE METHOD CAN BE USED. AN ACCEPTABLE METHOD IS COLD MIX PATCH TO DISPLACE ANY VOIDS BETWEEN THE COVER AND SUPPORTING SIDES.
5. OVERLAP REFER TO EDGE OVERLAP TABLE.
6. TRAFFIC COVER ARE ASTM A36 STEEL MINIMUM. $F_y=36$ KSI.
7. TRAFFIC COVERS MAY REQUIRE ENGINEERING IF THE SPEED LIMIT EXCEEDS 50 MPH ON DIRT CONTACT AND 60 MPH ON ASPHALT CONTACT.
8. COLD MIX TRANSITION RAMP REQUIRED 18" MINIMUM ALL AROUND TRAFFIC COVER.



JUL 1 1 2017



Know what's below.
Call 811 before you dig.

REVISED :

SHEET TITLE
MANUFACTURES TABULATED
DATA SHEET

B.K. WELLINGTON
Engineering, Inc.

122 CALISTOGA ROAD #581 - SANTA ROSA, CA 95409
PH: (707) 595-5423 - FX: (707) 595-5723

**TRAFFIC COVER
STEEL PLATE**

MANUFACTURES TABULATED DATA
TRENCH PLATE

Trench & Traffic
SUPPLY

SHEET NO.
TD2.0
2 OF 2

DATE
07/06/17

DRAWN
BKW

JOB NO.
17.196-01